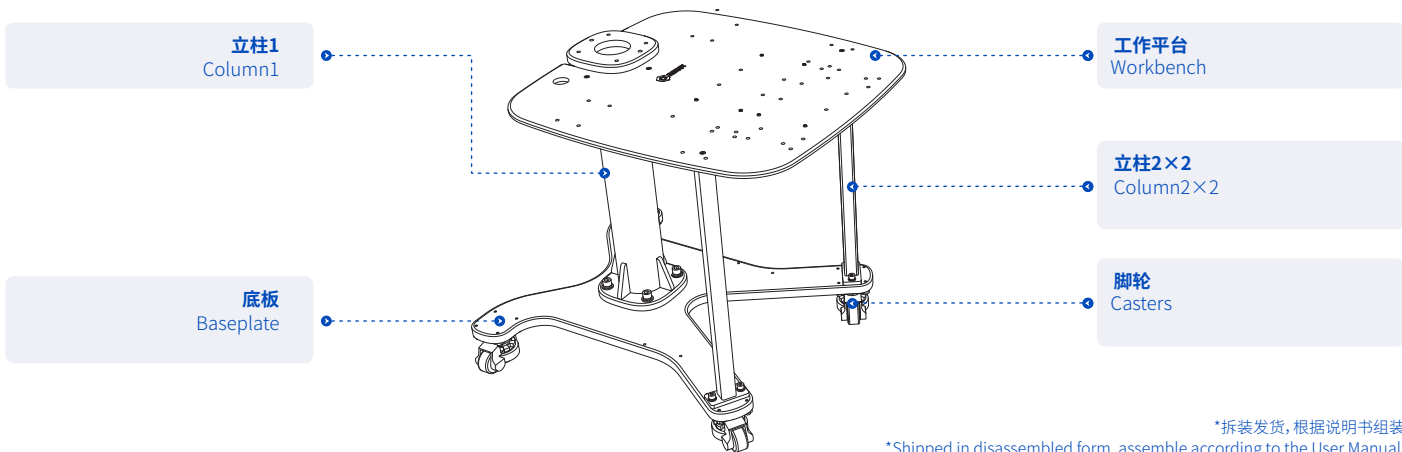


# CRA入门教育包发货清单

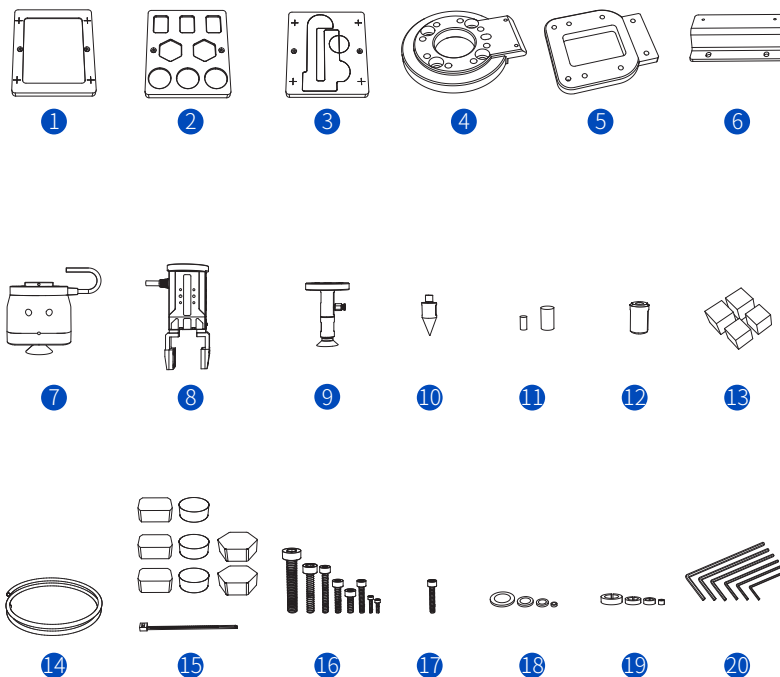
## CRA Entry Level Education Package Shipping List



\*拆装发货, 根据说明书组装  
\*Shipped in disassembled form, assemble according to the User Manual.

### 配件 Accessories

- ① 上料板×1  
Feeding Plate×1
- ② 放料板×1  
Placing Plate×1
- ③ 轨迹板×1  
Trajectory Plate×1
- ④ 夹具转接板×1  
Gripper Adapter Plate×1
- ⑤ 相机转接板×1  
Camera Adapter Plate ×1
- ⑥ 控制柜固定板×2  
Controller Mounting Plate×2
- ⑦ ES01电动吸盘×1  
ES01 Electric Vacuum Gripper×1
- ⑧ PGE-50电动夹爪套件×1  
PGE-50 Electric Gripper Kit×1
- ⑨ 末端组件×1  
Robot End Components×1
- ⑩ 标定针×1  
Calibration Pin×1
- ⑪ 圆柱销 Cylindrical Pin  
3\*6×2  
6\*10×2
- ⑫ 定位销×6  
Locating Pin×6
- ⑬ 小方块 Cube  
40\*40\*40×2  
35\*35\*35×2
- ⑭ 气管×1  
PU tube×1



- ⑮ 随机清单  
Red Circular Block×1  
Red Square×1  
Red Rectangular Block×1  
Red Hexagon Block×1  
Green Circular Block×1  
Green Rectangular Block×1  
Green Hexagon Block×1  
Blue Circular Block×1  
Blue Square×1  
Blue Rectangular Block×1  
扎带×1  
Cable Tie×Some
- ⑯ 内六角圆柱头螺钉  
Hex Socket Head Cap Screw  
M12\*40×6 M8\*25×10  
M6\*25×18 M6\*16×16  
M6\*10×12 M5\*16×6  
M3\*8×4 M3\*6×12
- ⑰ 内六角沉头螺钉  
Hex Socket Head Cap Screw  
M3\*10×8
- ⑱ 平垫圈 Flat Washer  
12×6 8×6  
6×10 3×12
- ⑲ 弹性垫圈 Spring Washer  
12×6 8×6  
6×10 3×12
- ⑳ 内六角扳手 Hex Wrench  
M3×1 M4×1  
M5×1 M6×1  
M8×1 M12×1

